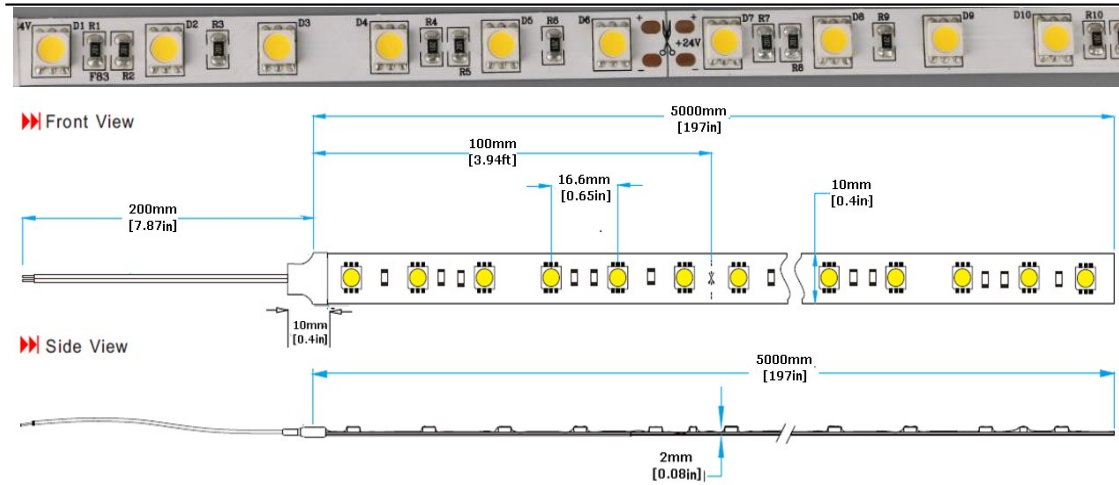


LED Strip Light SL5050 / SL5050IP67



- Classical constant voltage series in popular usage in the market.
- Decorating backlight and indirect lighting for showcase, shelf, cabinet, billboard, signage, hotel, garden, bridge, corridor, ceiling, stair, floor, cove, theatre, lift etc.



Part. No.	Dimension (L*W*H)	IP Rating	CCT	CRI (Ra)	Power ± 10%	Lumen Flux ± 10%
4739981 SL5050 3000K	5000*10*2mm	IP20	3000K	>90	14W/m	1300
4739980 SL5050 4000K	5000*10*2mm	IP20	4000K	>90	14W/m	1400
4739985 SL5050IP67 3000K	5000*12*4mm	IP67	3000K	>90	14W/m	1235
4739984 SL5050IP67 4000K	5000*12*4mm	IP67	4000K	>90	14W/m	1260

GENERAL PARAMETERS			
Standard Length	5M (power fed on one side)	Input Voltage	24VDC
Min. Unit & LED QTY	100mm & 6 LEDs	LED Current	56~60mA/LED
LED Type	SMD5050 white	LED CCT & Wavelength	3000K/4000K On request: 2700K/3500K/5000K/6500K
LED QTY	60LED/M	SDCM	ANSI Norm, 3 step
PCB Type	2oz white FPC, OSP	Beam Angle	120°
Operating Ambient	Ta: -20~45°C	Certification	CE, UL, RoHS
Warranty	3 years	IP Rate	SL5050 : IP20 / SL5050IP67 : IP67 On request : IP54(Plus), IP65, IP67(Plus)
Lifespan	50kh (L70B50@Tc<65°C, Tc is temperature of LED pin)	Dimming Method	PWM (dimmmable driver like RF, Bluetooth, 0/1-10V, Triac, DALI, DMX, WIFI etc.)

Note 1: Applying with extra heat sink is not mandatory by self-cooling.

Note 2: White adhesive tape attached on backside.

Note 3: One end of 100 mm red/black PVC cable.

Note 4: Black reel and transparent ESD bag.